

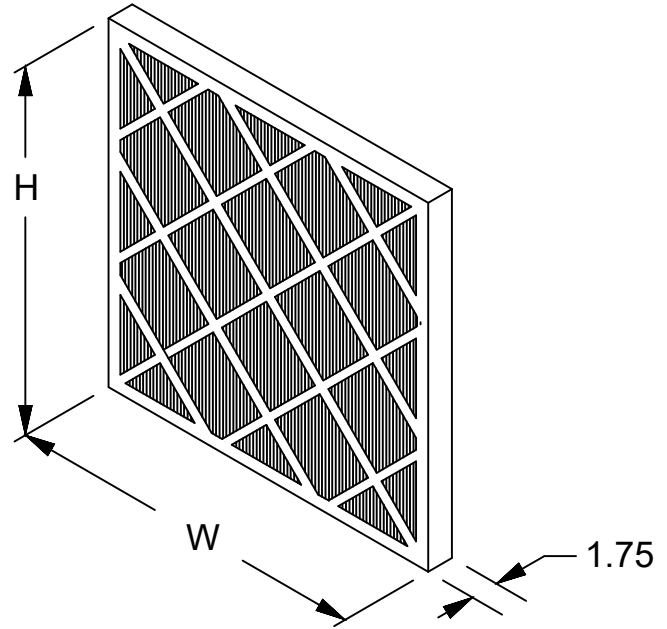
Nominal Size W x H x D (in)	Actual Size W x H x D (in)	Part Number	Capacity (CFM)	Resistance (in W.G.)	Media Area (sq ft)	Carton Qty
24x24x2	23-3/8 x 23-3/8 x 1-3/4	120-702-101	2000	0.26	85	3
20x25x2	19-1/2 x 24-1/2 x 1-3/4	120-702-102	1750	0.26	78	3
20x24x2	19-1/2 x 23-3/8 x 1-3/4	120-702-103	1650	0.26	67	3
20x20x2	19-1/2 x 19-1/2 x 1-3/4	120-702-104	1100	0.26	62	3
18x24x2	17-1/2 x 23-3/8 x 1-3/4	120-702-105	1400	0.26	60	3
16x25x2	15-1/2 x 24-1/2 x 1-3/4	120-702-106	1400	0.26	78	3
16x20x2	15-1/2 x 19-1/2 x 1-3/4	120-702-107	1125	0.26	50	3
12x24x2	11-3/8 x 23-3/8 x 1-3/4	120-702-108	1750	0.26	39	6

**Standard Construction:**

1. Gradient Density Microfiberglass Media
2. Hotmelt Adhesive Media Separators
3. Moisture Resistant Beverage Board Frame (24 point)
4. Double Wall Frame

**Specifications:**

1. Efficiency: MERV 11 (ASHRAE Standard 52.2-2017)
2. Final Resistance: 1.5" W.G.
3. Rated Velocity: 250 FPM
4. Classified per UL Standard 900
5. Maximum Operating Temperature: 150 F (66 C)
6. Tolerance: Height & Width - +/- 1/8"
7. Tolerance: Depth - +/- 1/16"



	<b>MicroMAX</b> <b>Beverage Board</b> <b>MERV 11</b>	REV	REVISION	BY / DATE
		LTR		
8401 Air Commerce Drive - Louisville KY 40219 Phone: (502) 634-4796 FAX: (502) 637-2280	Drawn By: Brent Chamberlain Date: May 22, 2023	Revision		